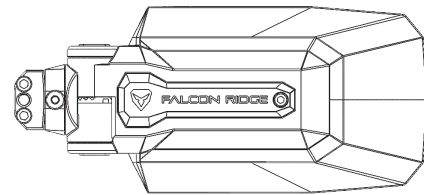


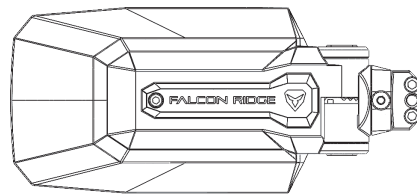
TRAILHEAD MIRROR - 56-19031  
INSTALLATION MANUAL

PARTS LIST

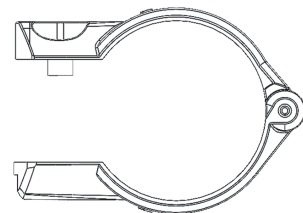
Driver side Mirror



Passenger side Mirror



1.75" clamp assembly (2)



m6 x 25mm  
socket head bolts (4)



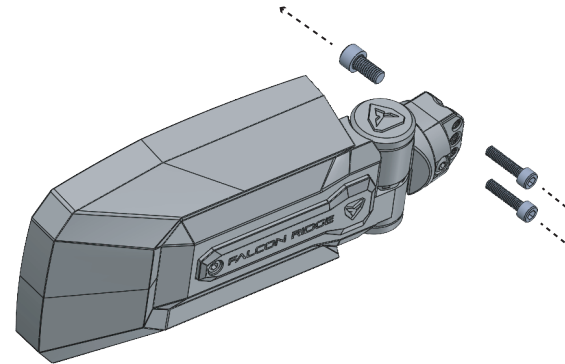
m8 x16mm  
socket head bolts (2)



m6 x12mm  
button head bolts (4)

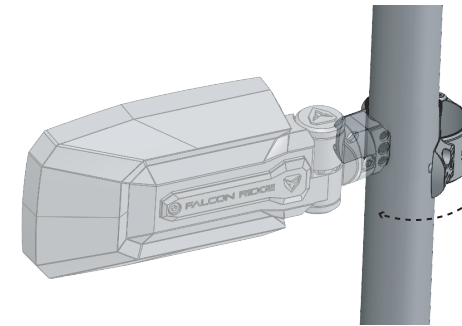


STEP 1



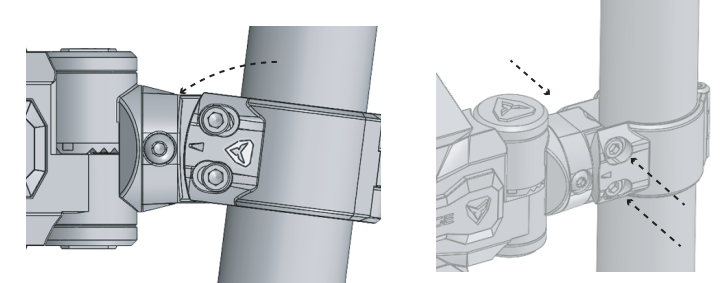
Disassemble 3 bolts by unscrewing.

STEP 3



Open clamp and place around roll cage tube. Close clamp around roll cage tube.

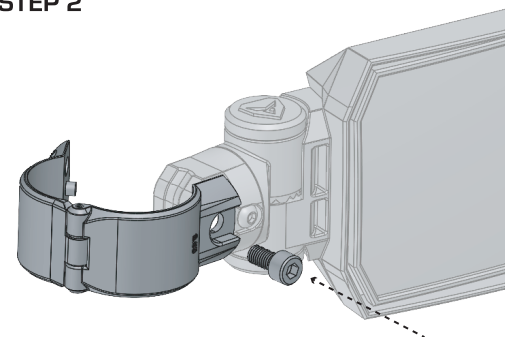
STEP 5



Rotate mirror on clamp so that it is level and provides desired viewing angle.

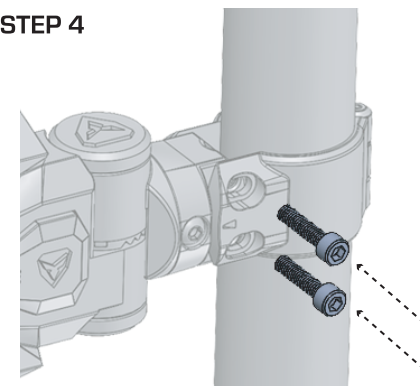
Tighten all 3 bolts to secure the clamp on the roll cage once adjustment is complete.

STEP 2



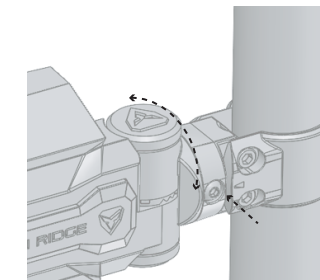
Assemble clamp using M8x16mm bolt. **DO NOT TIGHTEN IT ALL THE WAY YET.**

STEP 4



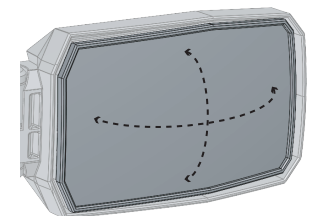
Complete the clamp assembly by installing 3 m5x16mm bolts. **DO NOT TIGHTEN THEM ALL THE WAY YET.**

STEP 6



Loosen m6x12mm bolts to rotate mirror housing for desired angle. Retighten bolts once adjustment is complete.

STEP 7



Adjust mirror tray by pushing edges of the tray for final adjustment.